

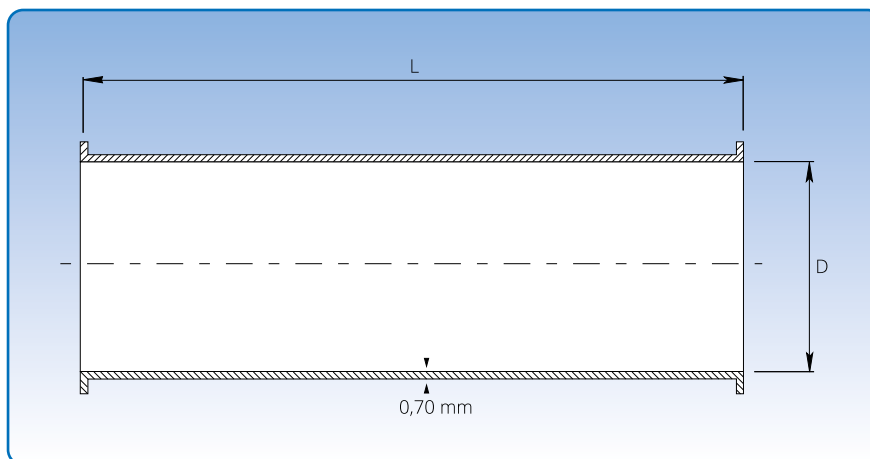
Laser welded and longitudinally lock formed ducts, galvanised

Diameter: $\varnothing 80 - \varnothing 1000$ mm.

Laser welded and longitudinally lock formed ducts are galvanised and made from 0.75 mm, 0.90 mm or 1.00 mm sheet metal (s). Ducts are also available in 1.25 mm sheet metal.

Also available in other qualities and dimensions to order.

Ducts of up to $\varnothing 400$ mm diameter are supplied as standard laser welded in lengths of 0.5 m, 1.0 m and 2.0 m. Other sizes from $\varnothing 450$ mm diameter are supplied as longitudinally lock formed ducts in standard lengths of 0.5 m, 1.0 m and 2.0 m.



Dimensional specifications are given in the table below.

Dimensions							
D mm	s mm	Item no. L = 0.5 m	Weight at L = 0.5 m kg	Item no. L = 1.0 m	Weight at L = 1.0 m kg	Item no. L = 2.0 m	Weight at L = 2.0 m kg
Laser welded ducts							
80	0,75	10701091	0,80	10701191	1,60	10701291	2,90
100	0,75	10711091	1,00	10711191	2,00	10711291	3,70
120	0,75	10721091	1,20	10721191	2,40	10721291	4,40
125	0,75	10731091	1,25	10731191	2,50	10731291	4,60
140	0,75	10741091	1,40	10741191	2,80	10741291	5,10
150	0,75	10751091	1,50	10751191	3,00	10751291	5,50
160	0,75	10761091	1,60	10761191	3,20	10761291	5,80
180	0,75	10771091	1,75	10771191	3,50	10771291	6,70
200	0,75	10781091	2,00	10781191	4,00	10781291	7,20
225	0,75	10791091	2,25	10791191	4,50	10791291	8,20
250	0,75	10801091	2,50	10801191	5,00	10801291	9,00
275	0,75	108010199	2,75	108011199	5,50	108012199	11,00
300	0,75	10811091	2,85	10811191	5,70	10811291	11,00
315	0,75	10821091	3,00	10821191	6,00	10821291	12,00
350	0,75	10831091	3,25	10831191	6,50	10831291	13,00
375	0,75	10839091	3,25	10839191	6,50	10839291	13,00
400	0,90	10841091	4,50	10841191	9,00	10841291	18,00
Longitudinally lock formed ducts							
450	0,90	1085101	5,15	1085111	10,30	1085121	20,60
475	0,90	1085901	5,43	1085911	10,85	1085921	21,70
500	0,90	1086101	5,70	1086111	11,40	1086121	22,80
550	0,90	1087101	6,25	1087111	12,50	1087121	25,00
600	0,90	1088101	6,80	1088111	13,60	1088121	27,20
630	0,90	1089101	7,20	1089111	14,40	1089121	28,80
650	0,90	1090101	7,50	1090111	15,00	1090121	30,00
700	0,90	1091101	8,00	1091111	16,00	1091121	32,00
750	0,90	1092101	8,50	1092111	17,00	1092121	34,00
800	1,00	1093101	10,00	1093111	20,00	1093121	40,00
850	1,00	1094105	22,20	1094115	32,95	1094125	54,45
900	1,00	1095105	23,60	1095115	35,10	1095125	48,10
950	1,00	1096105	24,99	1096115	37,24	1096125	61,74
1000	1,00	1097105	26,38	1097115	39,38	1097125	65,38

Item numbers designated with $D \leq 800$ mm are for ducts assembled with pull rings [f.b]. Item numbers designated $D \geq 850$ mm are for ducts with loose flanges [f.b.m.fl].

Ducts are also available for other assembly methods. See p. 6 for assembly methods.