

Jet cap, galvanised

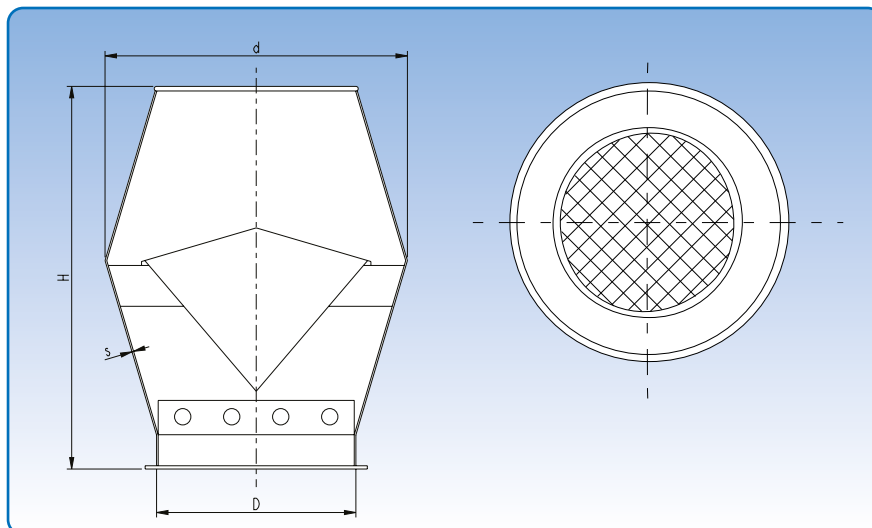
Diameter: $\varnothing 120 - \varnothing 1250$ mm.

Supplied with the same JKF assembly methods as the duct systems.

The jet caps can be supplied with lifting eyes to facilitate installation.

The jet caps are made with an internal cone, which directs rainwater to the jet cap's sweep from where the water is drained via a series of holes at the bottom of the casing.

Pressure loss curves are listed on the next page.



Dimensional specifications are listed in the table below.

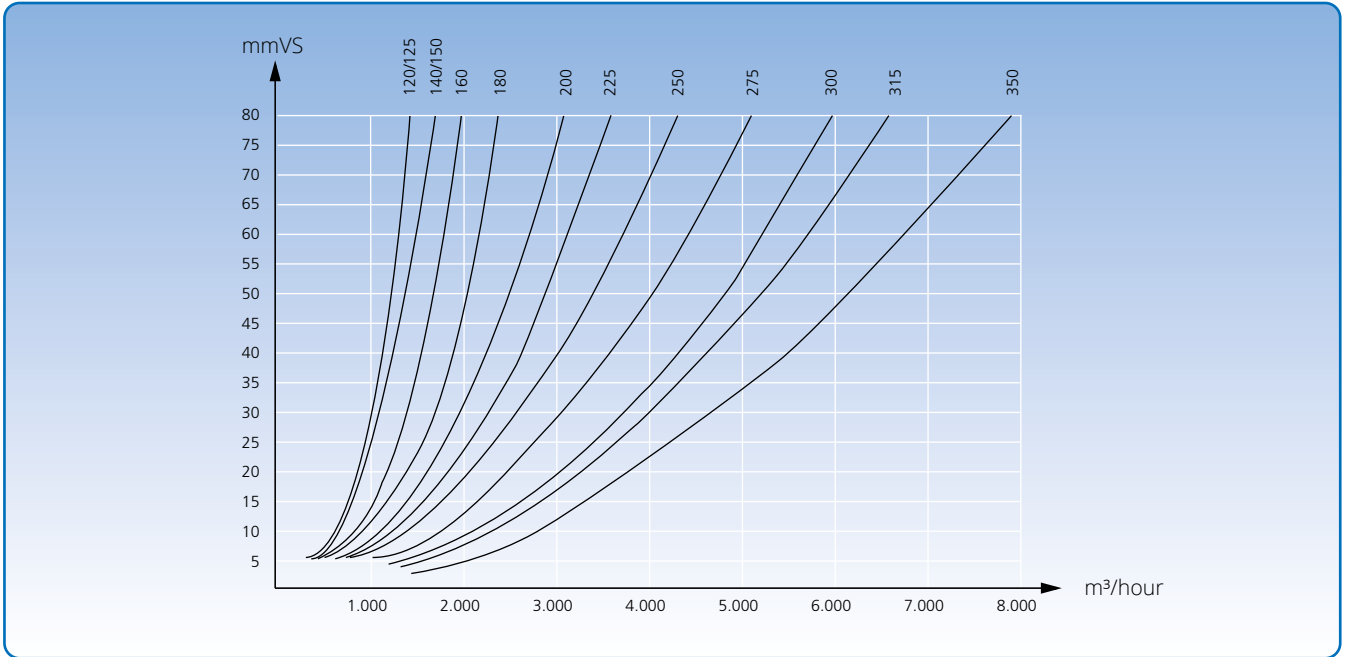
Dimensions for assembly with wide pulling

Item no.	D mm	d mm	s mm	H mm	Weight kg
1951202	120	185	0,90	325	1,90
1951252	125	195	0,90	340	1,95
1951402	140	215	0,90	365	2,45
1951502	150	230	0,90	390	2,75
1951602	160	245	0,90	410	3,10
1951802	180	275	0,90	445	3,75
1952002	200	305	0,90	490	4,45
1952252	225	345	0,90	535	5,40
1952502	250	380	0,90	590	7,15
1952752	275	420	0,90	640	7,80
1953002	300	460	0,90	690	9,35
1953152	315	480	0,90	720	9,90
1953502	350	535	0,90	785	11,90
1954002	400	610	0,90	885	15,30
1954502	450	690	0,90	985	18,90
1955002	500	765	0,90	1095	26,00
1955502	550	840	0,90	1200	31,10
1956002	600	915	0,90	1300	34,50
1956302	630	960	0,90	1360	36,90
1956502	650	990	0,90	1390	39,40
1957002	700	1070	1,25	1505	60,20
1957502	750	1145	1,25	1595	66,90
1958002	800	1220	1,25	1695	75,80
1958502	850	1295	1,25	1795	86,50
1959002	900	1375	1,25	1900	97,20
1959502	950	1450	1,25	1975	106,00
19510002	1000	1525	1,25	2000	114,00

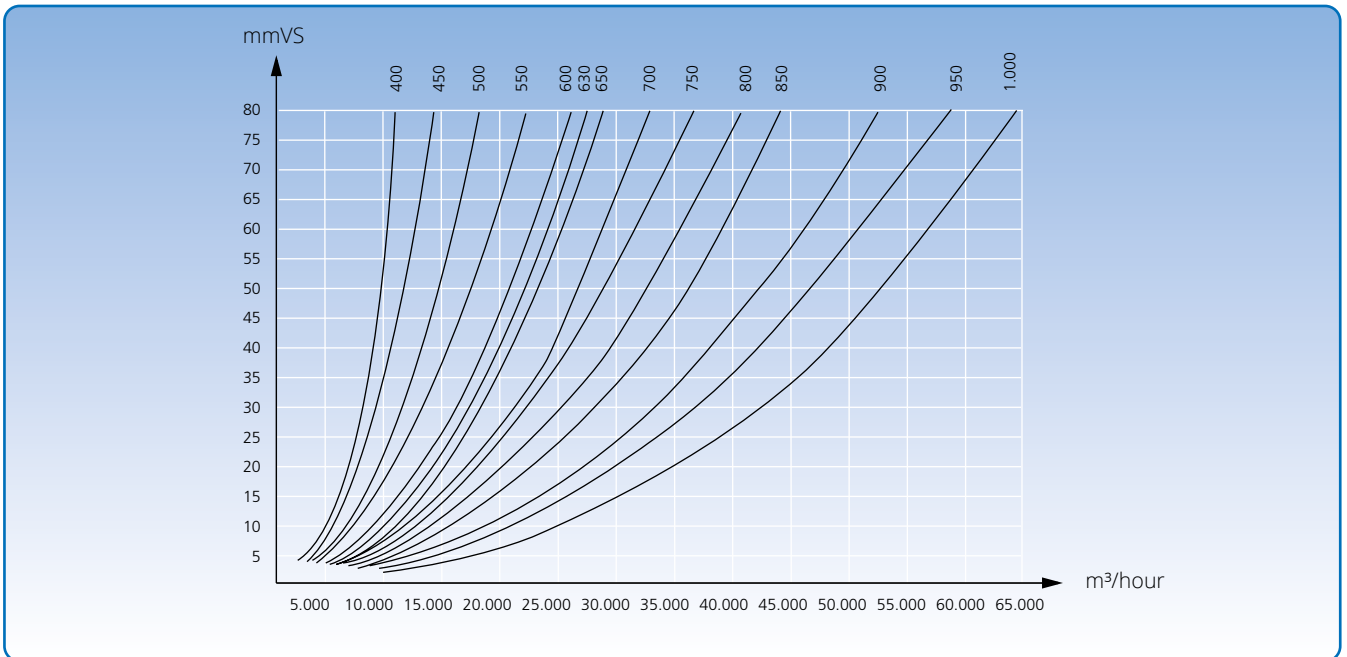
Dimensions for assembly with flange

Item no.	D mm	d mm	s mm	H mm	Weight kg
1951205	120	185	0,90	325	2,20
1951255	125	195	0,90	340	2,25
1951405	140	215	0,90	365	2,75
1951505	150	230	0,90	390	3,25
1951605	160	245	0,90	410	3,65
1951805	180	275	0,90	445	4,35
1952005	200	305	0,90	490	5,10
1952255	225	345	0,90	535	6,10
1952505	250	380	0,90	590	8,15
1952755	275	420	0,90	640	8,50
1953005	300	460	0,90	690	10,35
1953155	315	480	0,90	720	11,10
1953505	350	535	0,90	785	13,20
1954005	400	610	0,90	885	17,20
1954505	450	690	0,90	985	21,00
1955005	500	765	0,90	1095	28,30
1955505	550	840	0,90	1200	33,60
1956005	600	915	0,90	1300	37,20
1956305	630	960	0,90	1360	39,70
1956505	650	990	0,90	1390	42,30
1957005	700	1070	1,25	1505	64,40
1957505	750	1145	1,25	1595	71,50
1958005	800	1220	1,25	1695	80,70
1958505	850	1295	1,25	1795	91,70
1959005	900	1375	1,25	1900	102,60
1959505	950	1450	1,25	1975	112,00
19510005	1000	1525	1,25	2000	120,00
19511005	1100	1600	1,25	2275	147,70
19512505	1250	2000	1,25	2575	161,00

Jet caps, galvanised Technical data



Pressure loss curves for diameter ø120 - ø350 mm.



Pressure loss curves for diameter ø400 - ø1000 mm.